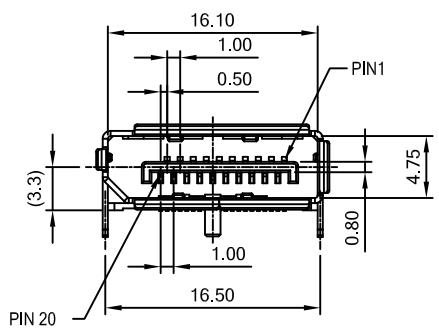


RECOMMENDED PADS LAYOUT  
<TOP VIEW>

NOTE : TOLERANCE FOR PCB LAYOUT IS ± 0.05



- ORDER INFORMATION  
 DPAR- 2X 20 - B K X 3 X 1D  
 ① ② ③ ④ ⑤ ⑥ ⑦ ⑧
- CONNECTOR:  
DPAR: DISPLAY PORT CONNECTOR
  - TYPE:  
21: FEMALE, SMT TYPE, NONE-KAPTON  
22: FEMALE, SMT TYPE, WITH KAPTON
  - POSITIONS:  
20: 20 POSITIONS
  - INSULATOR MATERIAL:  
B: LCP
  - INSULATOR COLOR:  
K: BLACK
  - CONTACT PLATING:  
2: GOLD 3u"  
4: GOLD 10u"
  - SHIELD PLATING:  
3: NICKEL SHIELD
  - PACKING  
T: TRAY PACKING  
R: TAPE REEL PACKING

ITEM	DESCRIPTIONs	MATERIAL	FINISH	Q'TY	NOTE
⑦	KAPTON			1	
⑥	HOUSING	LCP	BLACK	1	
⑤	SHELL	BRASS	NICKEL	1	
④	BOTTOM SIGNAL CONTACT	PHOSPHOR BRONZE	GOLD	5	
③	BOTTOM GND CONTACT	PHOSPHOR BRONZE	GOLD	5	
②	TOP SIGNAL CONTACT	PHOSPHOR BRONZE	GOLD	6	
①	TOP GND CONTACT	PHOSPHOR BRONZE	GOLD	4	

RoHS Compliant

TOLERANCE		 7F, No. 191, Sec. 2 Chung-Yang Rd., Tu-Cheng City Taipei Hsien, Taiwan A Genesis Electro-Mechanical Company	TITLE: DISPLAY PORT FEMALE			
LINEAR	ANGLES		PART NO. DPAR-2X20-BKX3X1D			
X. ±	X° ±		DWG NO. GTI09-25171			
.X ± 0.30	.X° ± 5°		APPD:	MAT'L:		
.XX ± 0.20	.XX° ± 3°	CHKD:	FINISH:			
.XXX ±	.XXX° ±	DRWN: Kathy-Tan	Q'TY:			

REV.	ISSUED	Vegas	12/26/09	.XX ± 0.20	.XX° ± 3°	APPD:	MAT'L:	DWG NO.	UNITS	SCALE	SHEET	REV
	ECN NO.	NAME	DATE	.XXX ±	.XXX° ±	DRWN: Kathy-Tan	Q'TY:		MM	NONE	1 OF 1	A