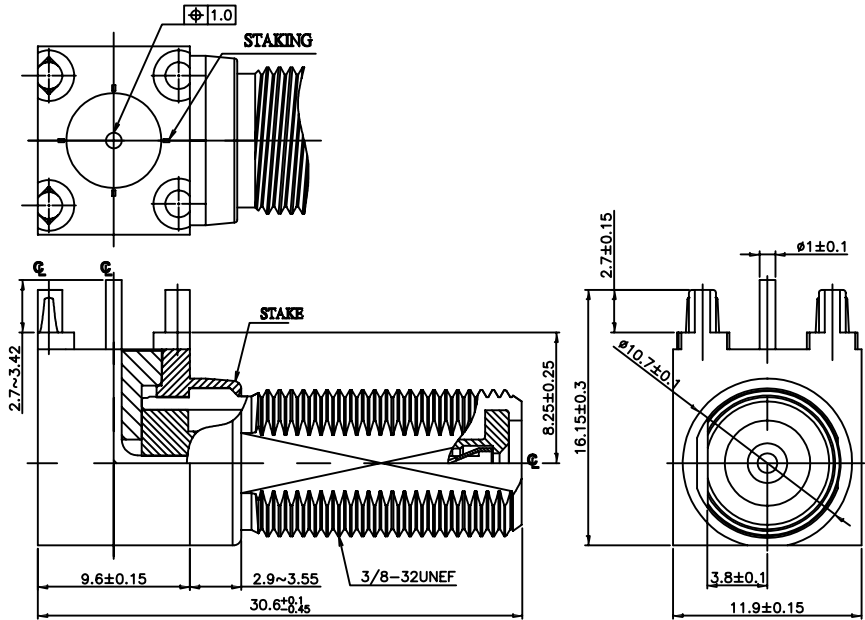


REV.	ECN. NO.	DESCRIPTION	NAME	DATE
A		ISSUE	SWL	09/29/09



MATERIALS/FINISH:

BODY: ZINC #3/Ni 50u" min.
 HOUSING: ZINC #3/Ni 50u" min.
 PIN: BRONZE/GOLD FLASH
 CONTACT: BeCu/GOLD FLASH.
 DIELECTRIC: TPX/DELTRIN OF TEFLON(WHITE).

ELECTRICAL:

26dB @ 0.52 GHz/23dB @ 1 GHz/21dB @ 1.24GHz
 20dB @ 1.48GHz/19dB @ 1.76 GHz/18dB @ 2GHz

MECHANICAL:

Minimum Radial Torque of Interface of Front Body Versus Rear Body: 30lb min.

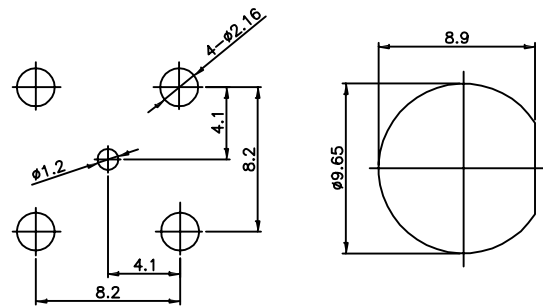
Contact Accepts .047(in) to .021(in) male pin
 (Restrictions noted below)

Contact Restrictions:

Conditioning pin: .0513(in) to Test pin: .028(in).
 Conditioning pin: .047(in) to Test pin: .023(in).

SCTE/ANSI Compliance:

Connector Complies with SCTE/ANSI 02 1997
 (formally IPS SP106 1998)



SUGGESTED PCB LAYOUT & PANEL HOLE

RoHS Compliant

GENERAL TOLERANCE X ± .X ± 0.2 .XX ± 0.12 .XXX ±	ANGLE TOLERANCE X° ± .X° ± .XX° ±	DRAWN SWL	DATE 09/29/09	
MATL SEE BOM	FINISH SEE NOTES	DESIGN	DATE	
SCALE N/A	UNIT mm	CHECKED	DATE	PART NUMBER F-170RVR
SHEET 1 OF 1		APPROVED	DATE	DRAWING NO. GTi09-30214
				SIZE A4
				REV.

ITEM	PART NUMBER	Q'TY	DESCRIPTION	NOTE
1				
2				
3				
4				
5				