

A-A SECTION

NOTES:

- SODERTAIL HAS TO BE WITHIN 0.05 UPWARD AND 0.2 DOWNWARD FROM Z-DATUM PLACE, AND COPLANALITY OF SOLDER TAILS TO BE WITHIN 0.10 MEASUREMENT POINT IS SOLDER TAILS TIP.
- RoHS COMPLIANT.

TOLERANCE	
LINEAR	ANGLES
X. ± 0.30	X° ± 2.00°
.X ± 0.20	.X° ± 1.00°
.XX ± 0.10	.XX° ± 0.50°
.XXX ± 0.05	.XXX° ±

**GENESIS TECHNOLOGY, INC.**  
 1015 GRANT STREET S.E. ATLANTA, GA 30315  
 a Genesis Electro-Mechanical Company

TITLE: DDR S.O. DIMM 200P ASSEMBLY

PART NO. GTI08-30373

DWG NO. GTI08-30373

[A]	ISSUED	FOX	11/06/08
REV	ECN NO.	NAME	DATE

CHKD:	FINISH:
DRWN: FOX	Q'TY:

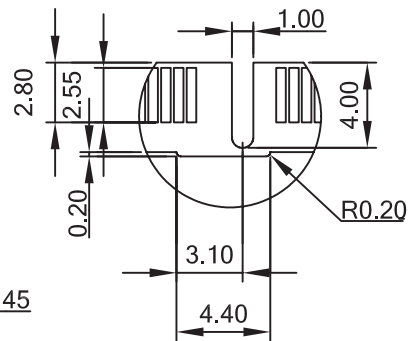
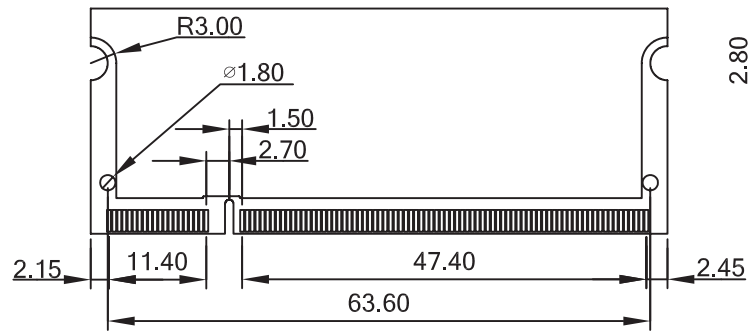
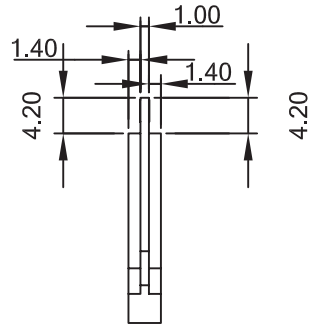
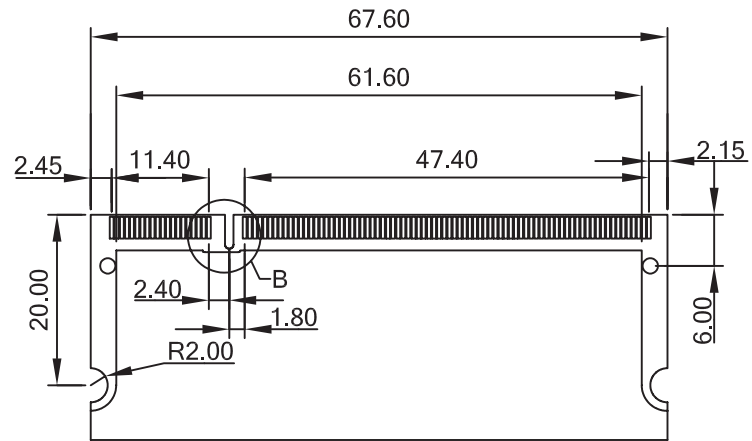
APPD: APPROVED By Axl at 10:28 am, 11/2/08

MAT'L:

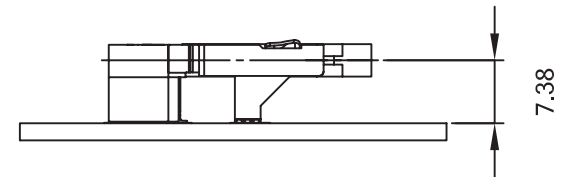
FINISH:

Q'TY:

UNITS	SCALE	SHEET	REV
MM	NONE	1 OF 3	A

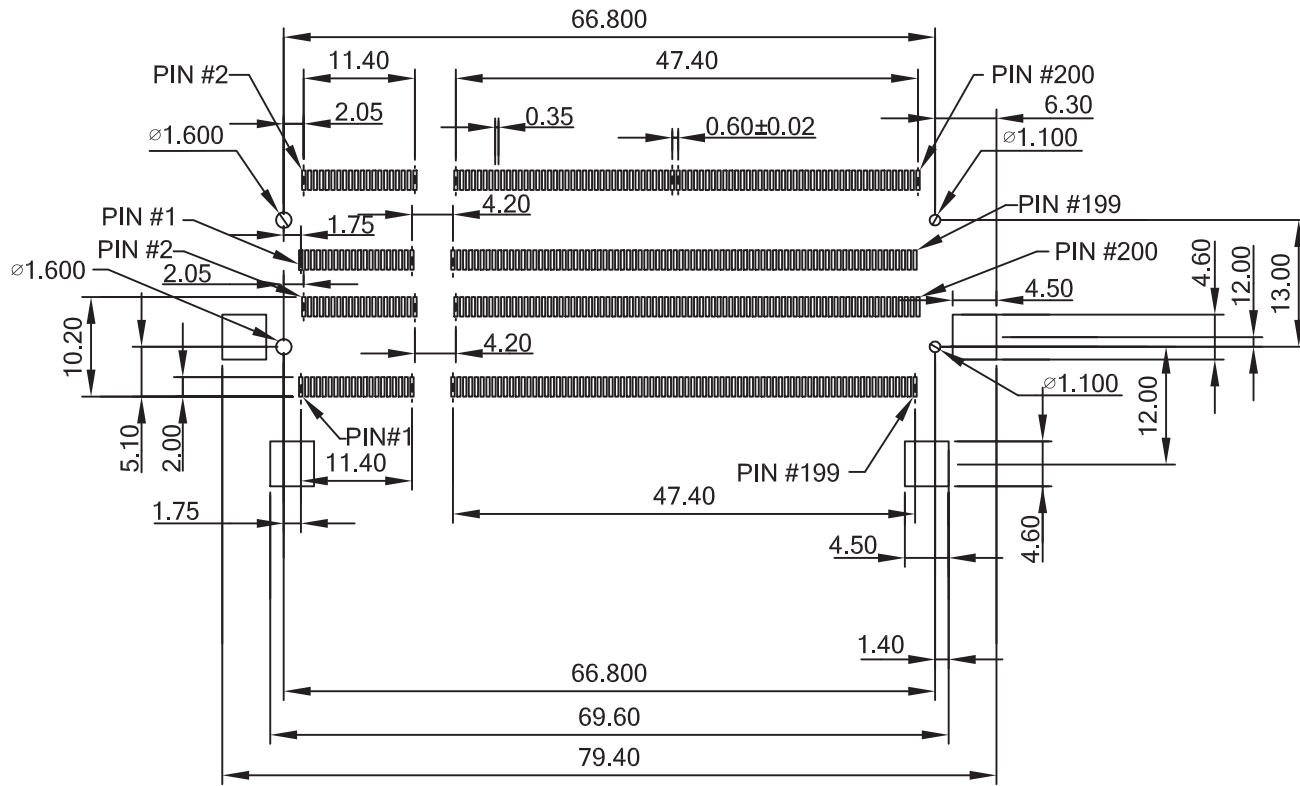


DETAIL B

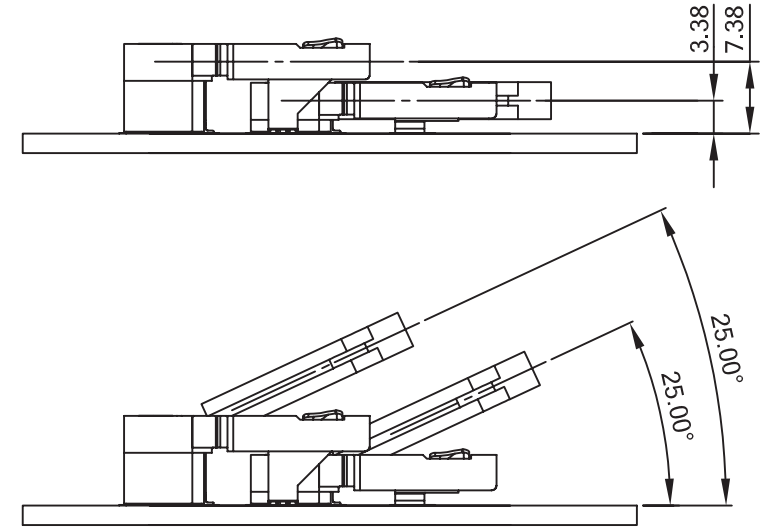


PART NO.	GTI08-30373	SHEET	REVISION
DWG NO.	GTI08-30373	2 OF 3	SEE SHEET 2

# DDR S.O. DIMM 200P 5.2 & 9.2 OVERLAY FIGURE



PCB LAYOUT: COMPONENT SIDE (5.2 & 9.2 TYPE)



PART NO.	GTI08-30373	SHEET	REVISION
DWG NO.	GTI08-30373	3 OF 3	SEE SHEET 3