

NOTES:

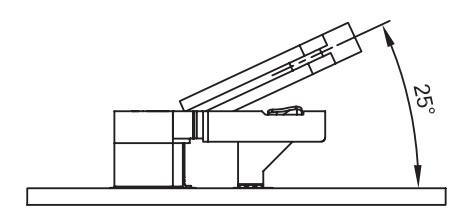
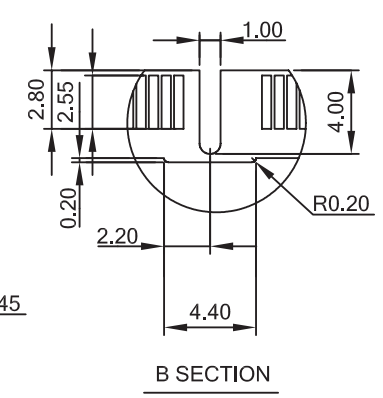
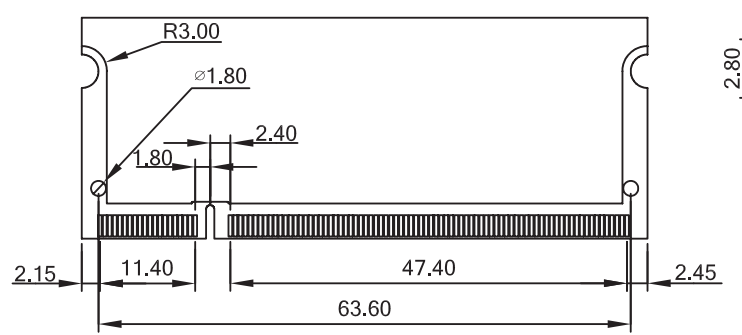
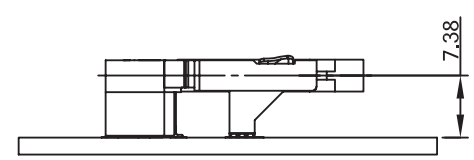
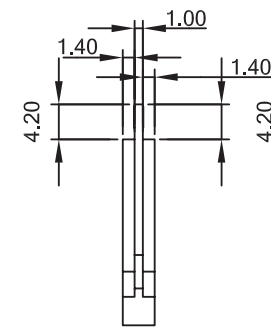
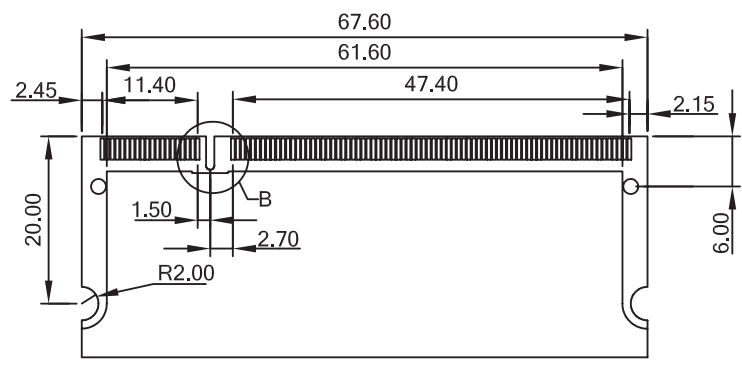
1. SOLDERTAIL TO BE WITHIN 0.05 UPWARD AND 0.2 DOWNWARD FROM Z-DATUM PLACE, AND COPLANALITY OF SOLDERTAILS TO BE WITHIN 0.10 MEASUREMENT POINT IS SOLDERTAILS TIP.
2. RoHS COMPLIANT.

TOLERANCE	
LINEAR	ANGLES
X. ±0.30	X° ±2.00°
.X ±0.20	.X° ±1.00°
.XX ±0.10	.XX° ±0.50°
.XXX ±0.05	.XXX° ±

GENESIS TECHNOLOGY, INC.
 1015 GRANT STREET S.E.
 ATLANTA, GA 30315
 a Genesis Electro-Mechanical Company

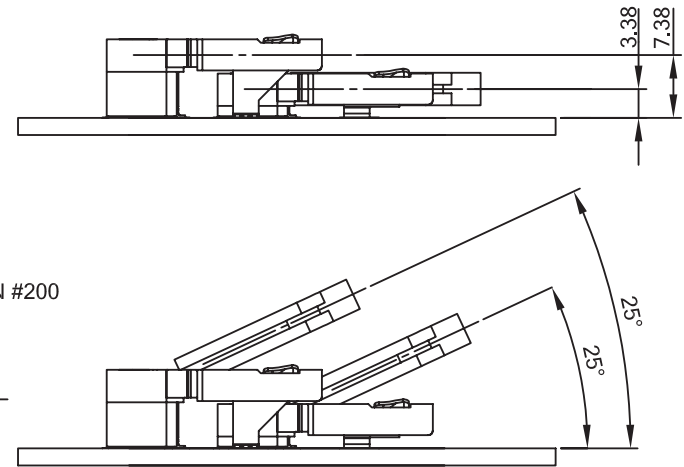
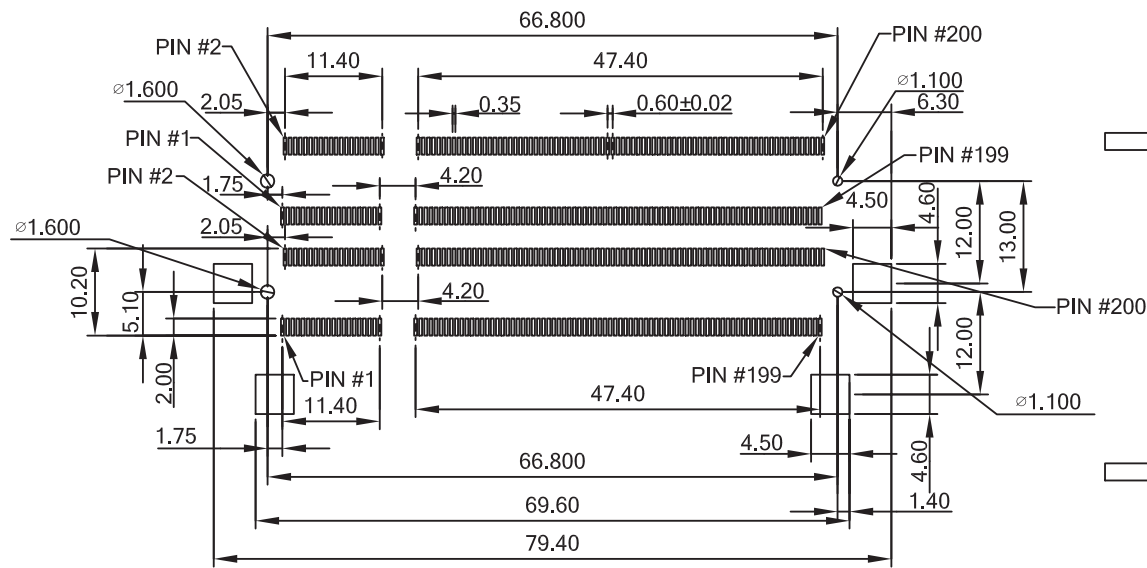
TITLE: DDR S.O. DIMM 200P ASSEMBLY			
PART NO.	GT108-30378		
DWG NO.	GT108-30378		

[A]	ISSUED	FOX	11/07/08	.XX ±0.10	.XX° ±0.50°	APPD: APPROVED BY: And at 5:28 pm, 11/07/08	MAT'L:		UNITS	SCALE	SHEET	REV
REV	ECN NO.	NAME	DATE	.XXX ±0.05	.XXX° ±	CHKD:	FINISH:					
						DRWN: FOX	Q'TY:					



PART NO.	GT108-30378	SHEET	REVISION
DWG NO.	GT108-30378	2 OF 3	SEE SHEET 1

DDR S.O. DIMM 200P 5.2 & 9.2 OVERLAY FIGURE



PCB LAYOUT: COMPONENT SIDE (5.2 & 9.2 TYPE)

PART NO.	GTI08-30378	SHEET	REVISION
DWG NO.	GTI08-30378	3 OF 3	SEE SHEET 1