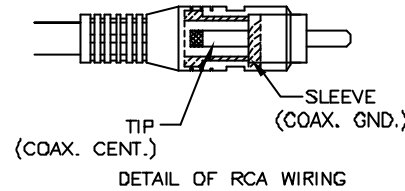


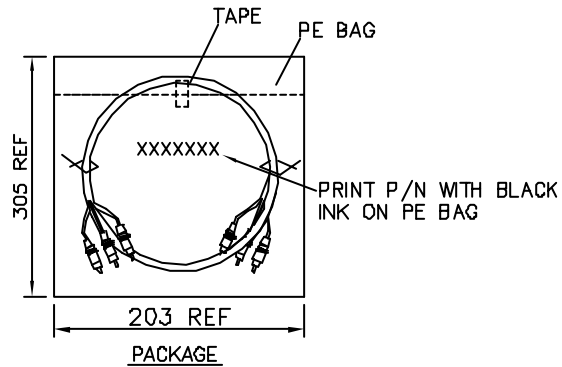
CABLE SECTION A-A

WIRE LIST

J1	TIP	COAX-COND	TIP	J4
	SLEEVE	COAX-GND	SLEEVE	
J2	TIP	COAX-COND	TIP	J5
	SLEEVE	COAX-GND	SLEEVE	
J3	TIP	COAX-COND	TIP	J6
	SLEEVE	COAX-GND	SLEEVE	



NOTE:  
 1. CABLE: {[26AWG(1/0.404)x1C+AL/MY+SPIRAL(50/0.12)]x3F}BARE  
 COAX INSULATION:FOAM-PE,OD=φ2.10±0.10mm,  
 COLOR:NATURE, IMPEDANCE:75±5 Ohm  
 JACKET:80°C PVC,OD=φ4.5Dx13.50(±0.20mm), COLOR: GREY.  
 26AWG CONDUCTOR HAS TO MEET CHARACTERISTIC  
 VALUE OF RESISTANCE:0.101 Ohm/ft, CAPACITOR:17.3pF/ft  
 2.RCA PLUG MOLDING MATERIAL: PVC  
 RED FOR J1 AND J4 ,  
 BLUE FOR J2 AND J5 ,  
 GREEN FOR J3 AND J6 ,  
 3.100% TEST OPEN,SHORT,MISWIRE.



3	OVERMOLD	1SET	
2	PREMOLD	1SET	
1	RCA PLUG(G/F)	6PCS	
NO.	PART NAME	Q'TY	NOTE.

TOLERANCE		 <small>1015 GRANT STREET S.E. ATLANTA, GA 30375</small>	TITLE: RCA CABLE ASSY 1.5 METERS			
LINEAR	ANGLES		PART NO. SC-10517			
X.±	X'.±		APPD:	MAT'L:		
.XX±0.25	.X'±		CHKD:	FINISH:		
.XX±0.15	.XX'±	DRWN: AXL	Q'TY:			
.XXX±0.05	.XXX'±					

[A]	ISSUED	AXL	10/24/06	.XX±0.15	.XX'±	APPD:	MAT'L:		UNITS	SCALE	SHEET	REV
REV	ECN NO.	NAME	DATE	.XXX±0.05	.XXX'±	DRWN: AXL	Q'TY:		MM	NONE	1 OF 1	A