
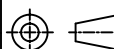


- NOTES:**
- MATERIAL:**
 BASE AND LATCH: PBT + 30% GLASS FILLED (UL94V-0).
 CONTACT: COPPER ALLOY.
 BRACKET: SPCC.
 SCREWS: LOW CARBON STEEL.
 - PLATING:**
 CONTACTS: NICKEL PLATED 50u" OVER ALL.
 PCMCIA CONTACTS TO HEADER AREA: SEE DETAIL A.
 PCMCIA CONTACTS TO CARD BUS AREA: SEE DETAIL B.
 BRACKET AND SCREWS: NICKEL 50u" PLATED OVER ALL.
 - RoHS COMPLIANT.
 - M2 EFFECTIVE SCREW TORQUE: 4 kg-cm.
 - HEADER SOLDER TAIL TO BE WITHIN 0.05 UPWARD AND 0.2 DOWNWARD FROM Z-DATUM PLACE, AND COPLANALITY OF SOLDER TAILS TO BE WITHIN 0.12. MEASUREMENT POINT IS SOLDER TAILS TIP.

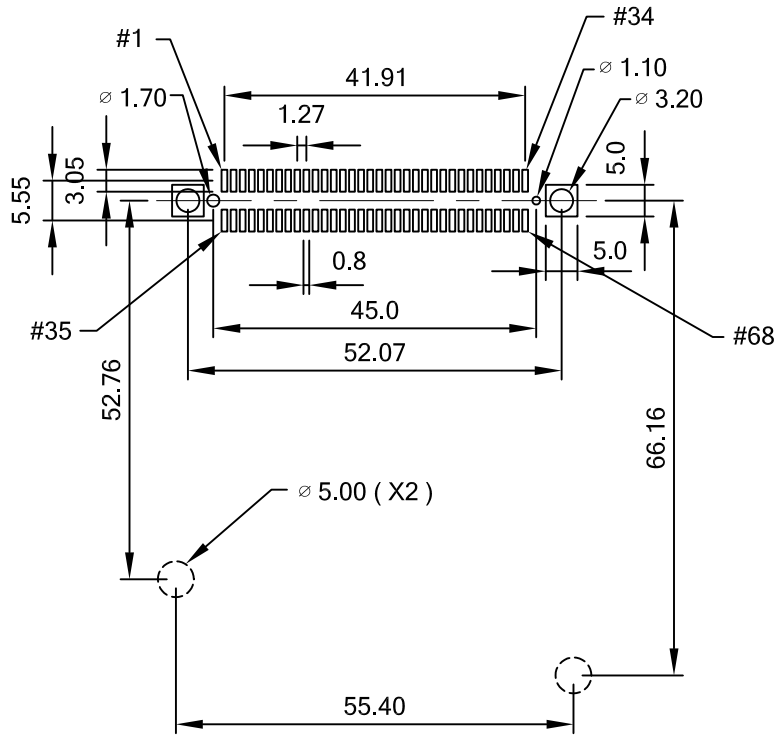
TABLE A

PIN TYPE	DIM. L ± 0.2	PIN NUMBER
DETECT	3.50 mm	36, 67
GENERAL	4.25 mm	THE REST
POWER	5.00 mm	1, 17, 34, 35, 51, 68

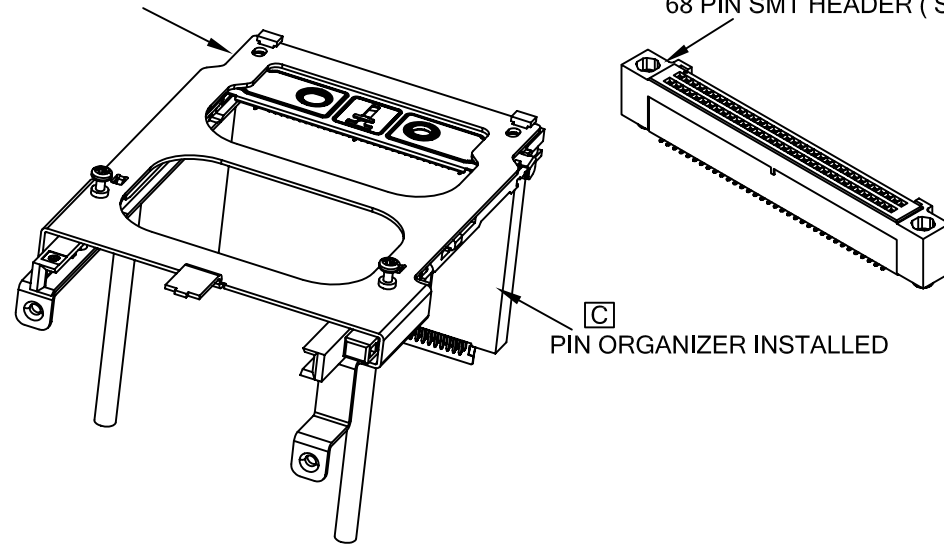
TOLERANCE		 <small>1015 GRANT STREET S.E. ATLANTA, GA 30315</small>	TITLE: CABLE CARD, PCMCIA SOCKET SET			
LINEAR	ANGLES		PART NO. SC-10671-XX-XX			
X. ± 0.30	X° ±	APPD:	MAT'L:			DWG NO. SC-10671
.X ± 0.20	.X° ±	CHKD:	FINISH:			 UNITS SCALE SHEET REV MM NONE 1 OF 3 F
.XX ± 0.10	.XX° ±	DRWN: AXL	Q'TY:			
.XXX ±	.XXX° ±					

CARD BUS CONNECTOR SC-10671-XX-XX

68 PIN SMT HEADER (SC-10360)



RECOMMENDED PCB LAYOUT
TOLERANCE: ± 0.05 mm



C PIN ORGANIZER INSTALLED

SC-10671-XX-XX

SELECTIVE GOLD PLATING OPTION

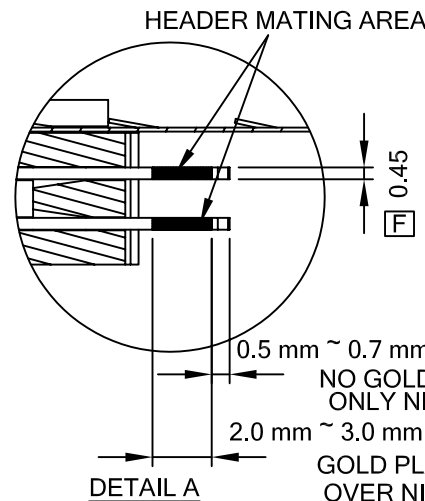
S1: GOLD FLASH (0.8u" min.) ON CARD AND HEADER MATING AREA.

S2: GOLD 15u" ON CARD MATING AREA

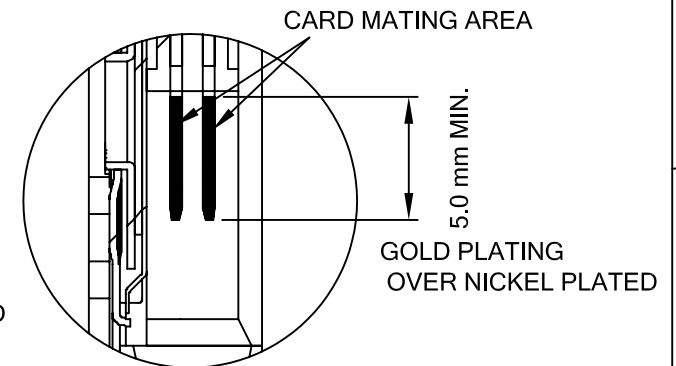
GOLD FLASH (0.8u" min.) ON HEADER MATING AREA.

01: CARD BUS CONNECTOR ONLY

02: CARD BUS AND 68P HEADER SET



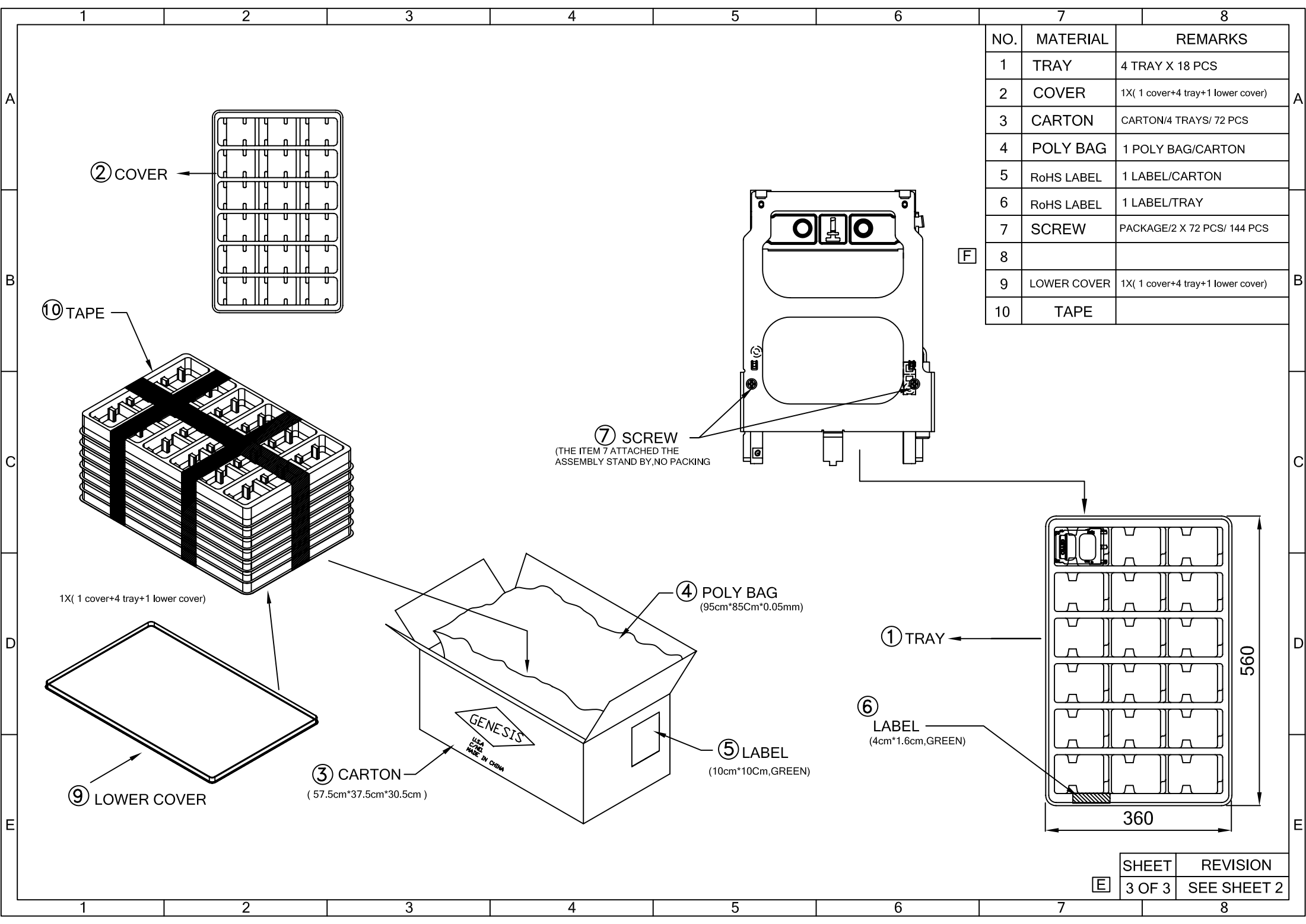
DETAIL A



DETAIL B

F	SHEET 1: ZONE A7, REMOVE LONG SCREWS, ZONE A5, ADD LOCKING FEATURE, CORRECT TYPO. SHEET 2: ZONE D5, CORRECT TYPO. WAS 1.65 SHEET 3: ZONE B7, REMOVE ITEM 8 FROM BOM.	AXL	10/11/07'
E	ADD PACKAGE ON SHEET 3	AXL	9/17/07'
D	CHANGE DIMENSION WAS 1.5mm	AXL	7/31/07'
C	INSTALLED PIN ORGANIZER	AXL	6/21/07'
B	REVISE HEIGHT AND BRACKET	AXL	4/16/07'
A	ISSUED	AXL	3/22/07'
REV	ECN NO.	NAME	DATE

NO.	MATERIAL	REMARKS
1	TRAY	4 TRAY X 18 PCS
2	COVER	1X(1 cover+4 tray+1 lower cover)
3	CARTON	CARTON/4 TRAYS/ 72 PCS
4	POLY BAG	1 POLY BAG/CARTON
5	RoHS LABEL	1 LABEL/CARTON
6	RoHS LABEL	1 LABEL/TRAY
7	SCREW	PACKAGE/2 X 72 PCS/ 144 PCS
8		
9	LOWER COVER	1X(1 cover+4 tray+1 lower cover)
10	TAPE	



⑦ SCREW
 (THE ITEM 7 ATTACHED THE ASSEMBLY STAND BY,NO PACKING)

1X(1 cover+4 tray+1 lower cover)

④ POLY BAG
 (95cm*85cm*0.05mm)

③ CARTON
 (57.5cm*37.5cm*30.5cm)

⑤ LABEL
 (10cm*10cm, GREEN)

⑥ LABEL
 (4cm*1.6cm, GREEN)

SHEET	REVISION
3 OF 3	SEE SHEET 2