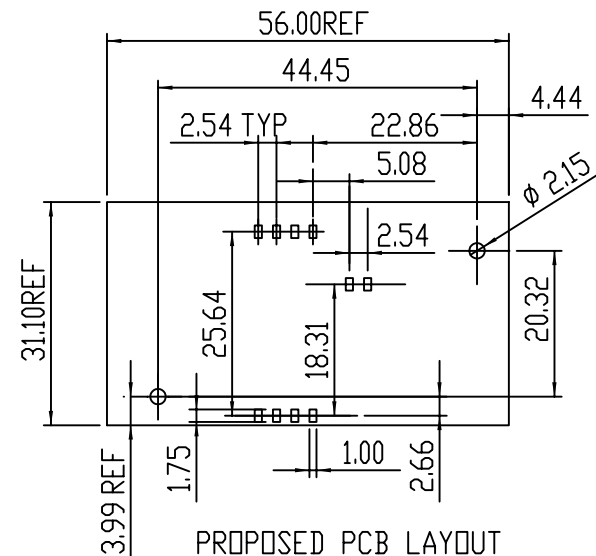
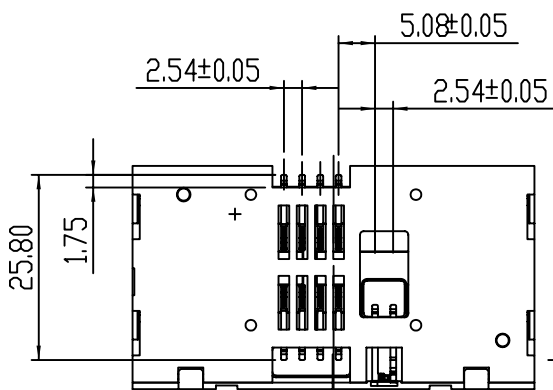
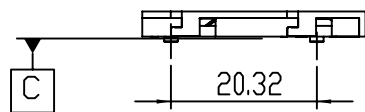
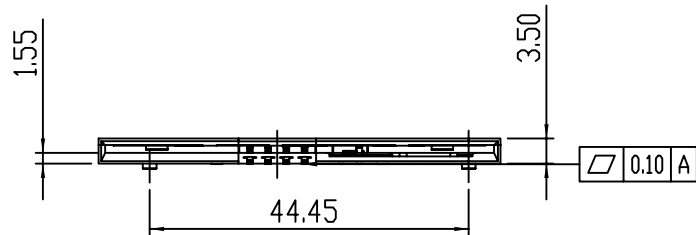
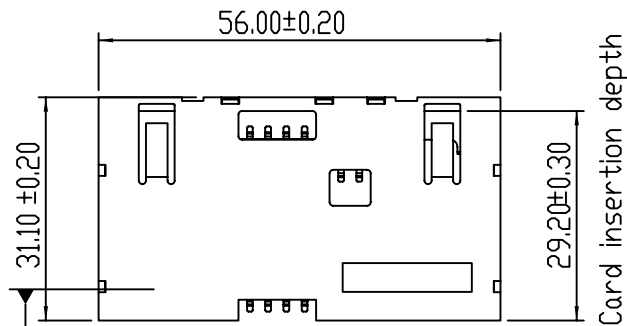
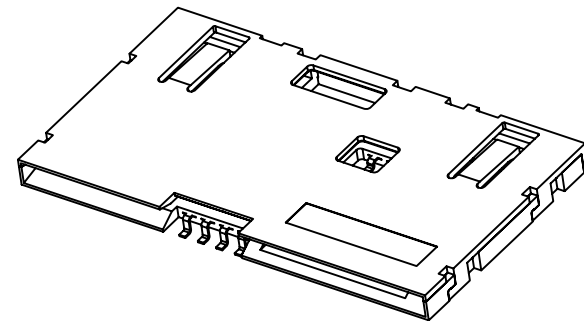


SMCR- 22 08 - X K X 0 T 1

① ② ③ ④ ⑤ ⑥ ⑦

- 1. CONNECTOR:
SMCR: SMART CARD R/A CONNECTOR
- 2. TYPE:
22: FEMALE, SMT, W/O SWITCH, HEIGHT 1.55mm
- 3. POSITIONS
08: 8 POSITIONS
- 4. INSULATOR MATERIAL
B: LCP
K: PPS
- 5. INSULATOR COLOR
K: BLACK
- 6. CONTACT PLATING
1: GOLD FLASH
5: GOLD 15 u"
- 7. SHIELD PLATING
0: NONE SHIELD



- NOTES:
- 1. MATERIAL:
HOUSING: THERMOPLASTIC, COLOR: BLACK.
CONTACT: COPPER ALLOY.
 - 2. FINISH:
CONTACTS: GOLD PLATE ON MATING SURFACE,
TIN ON SOLDER TAIL, ALL OVER NICKEL UNDERPLATE.
 - 3. CARD DETECTION SWITCH NORMALLY OPEN.
 - 4. RoHS COMPLIANT.

TOLERANCE	
LINEAR	ANGLES
X. ± 0.30	X° ±
.X ± 0.20	.X° ±
[A] ISSUED	AXL 8/22/08
REV ECN NO.	NAME DATE
.XX ± 0.10	.XX° ±
.XXX ± 0.05	.XXX° ±



TITLE: SMART CARD SMT TYPE HEIGHT 1.55mm			
PART NO.	SMCR-2208-XKX0T1		
DWG NO.	GTI08-30277		
UNITS	SCALE	SHEET	REV
MM	NONE	1 OF 1	A

[A]	ISSUED	AXL	8/22/08
REV	ECN NO.	NAME	DATE

APPD:	MAT'L:
CHKD:	FINISH:
DRWN: AXL	Q'TY:

