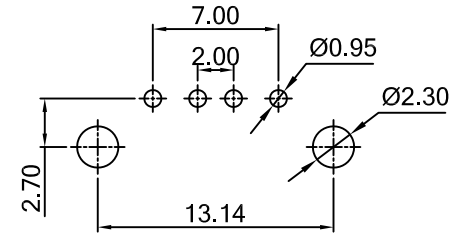
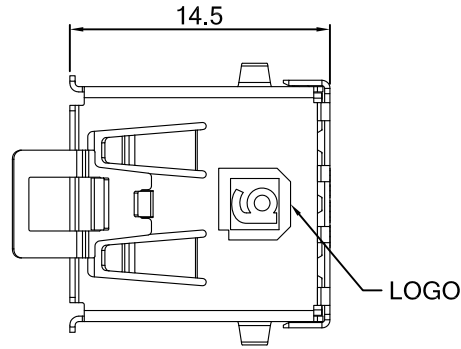


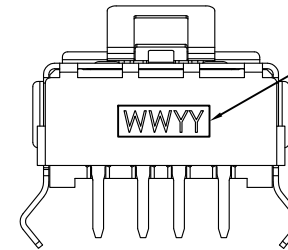
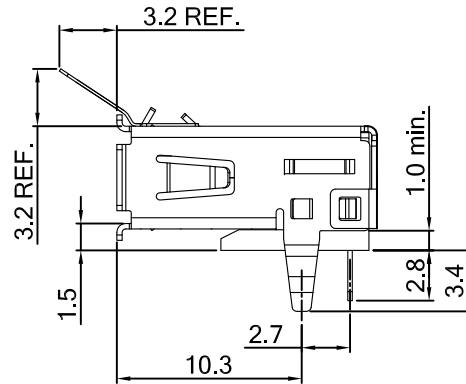
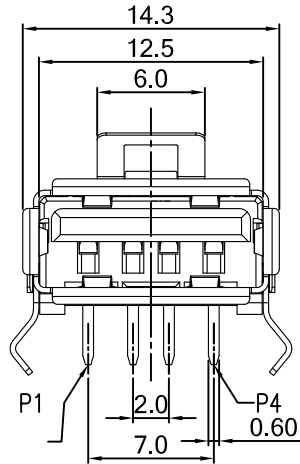
1 2 3 4 5 6 7 8

A B C D E

F



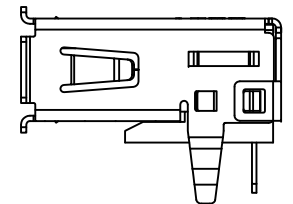
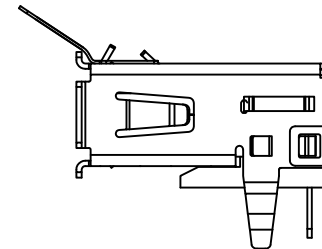
PCB LAYOUT COMPONENT SIDE  
Tolerance: ±0.05mm



DATE CODE  
FORMAT: WWYY  
WW: WEEK (01~52)  
YY: YEAR (10~ )

USAR-2C: WITH FINGER SPRING

USAR-2D: WITHOUT FINGER SPRING



|     |   |        |           |
|-----|---|--------|-----------|
| K   | CHANGE NOTES 1a. CURRENT RATING, WAS 1.5A | AXL    | 1/27/12'  |
| J   | ADD 30%GF ON PBT MATERIAL                 | AXL    | 2/10/11'  |
| I   | ADD CONTACT PLATING OPTION                | DANIEL | 11/10/10' |
| H   | REVISE NOTES                              | DANIEL | 8/12/10'  |
| G   | REVISE PART. NUMBER                       | DANIEL | 5/10/10'  |
| F   | REVISE DRAWING & PART. NUMBER             | DANIEL | 2/10/10'  |
| E   | ADDED ILLUSTRATION WITHOUT FINGER         | FOX    | 1/27/10'  |
| D   | ADD LOGO AND DATE CODE                    | AXL    | 1/25/10'  |
| C   | ADD DIMENSION AND RoHS 6/6                | AXL    | 1/19/10'  |
| B   | Revise Order Information                  | AXL    | 7/30/09'  |
| A   | ISSUED                                    | FOX    | 2/05/09'  |
| REV | ECN NO.                                   | NAME   | DATE      |

| TOLERANCE   |         |
|-------------|---------|
| LINEAR      | ANGLES  |
| X. ±0.38    | X° ±    |
| .X ± 0.25   | .X° ±   |
| .XX ± 0.13  | .XX° ±  |
| .XXX ± 0.05 | .XXX° ± |



|                                  |       |                     |     |
|----------------------------------|-------|---------------------|-----|
| TITLE: USB A TYPE FLAT 4 PIN DIP |       |                     |     |
| PART NO. USAR-2X04-XKX3T01       |       | DWG NO. GTI09-30018 |     |
| UNITS                            | SCALE | SHEET               | REV |
| MM                               | NONE  | 1 OF 2              | K   |

1 2 3 4 5 6 7 8

Notes:

**[H]** 1. Electrical:

- [K]** a. Rated Voltage and Current: 2.0A at 30VDC Max. (r.m.s)
- b. Insulation Resistance: 1000M ohms min.
- c. Dielectric Withstand Voltage: 500V AC (rms) for 1 minute.
- d. Contact Resistance: 30 m ohms max. initial;

2. Mechanical:

a. Material:

- Contacts: Phosphor Bronze.T:0.25
- [G]** Housing&Cover/Flammability Rating: See Part Number , UL94V-0
- Shell/Tab: Brass (Shell), Stainless (Tab).

b. Plating:

- Contacts: Gold plated Optional (see order information).
- 40-60u" Nickel, 120u" Tin.
- Shell: 80-120u" Nickel.

c. Durability: USB 1,500 Cycles.

d. Mating force: USB 35N Max.

Unmating force: USB 10N Min.

e. Coplanarity of SMT Leads: Not Applicable.

f. Solderability: More than 95% of solderable area shall be covered with solder after 5~10 seconds flux(No clean flux)deep.

g. Soldering Profile: 5~10 seconds without remarkable deterioration. remarkable deterioration.

| MATERIAL             | TEMP.   |
|----------------------|---------|
| NY9T                 | 260±5°C |
| <b>[J]</b> PBT+30%GF | 260±5°C |

3. Environmental:

- a. Operating/Storage Temperature: -40°C to +85°C.
- b. Temperature Life: A temperature of 60±5°C for 96hours.
- c. Salt Spray test shall be tested per ASTM 117 for 4 hours.
- d. Steady State Humidity: 90%~95% humidity on 40±3°C for 96hours.
- e. Thermal Shock: 10 cycles of -55±5°C to 85±5°C.
- f. Shock: No discontinuities of 1 us or longer duration when mated USB connectors are subjected to 11 ms duration 30 Gs half-sine shock pulses. Three shocks in each direction applied along three mutually perpendicular planes for a total of 18 shocks.
- g. Vibration: No discontinuities of 1us of longer duration when mated USB conn. are subjected to 5.35Gs RMS. 15min. in each of three mutually perpendicular planes.
- h. After enviromental test, USB connector contact resistance should not increase to 50m ohms max.

4. Compliance:

- a. USB 2.0 version compliant with plating of Gold 30u" or higher.
- [C]** b. RoHS 6/6 Compliant.

**[F]** PART. NUMBER

USAR- 2X 04 - X K X 3 T 01

① ② ③ ④ ⑤ ⑥ ⑦

1. CONNECTOR:

USAR: USB A TYPE R/A CONNECTOR

2. TYPE:

USAR-2C: USB A TYPE FLAT 4 PIN DIP WITH FINGER SPRING  
USAR-2D: USB A TYPE FLAT 4 PIN DIP WITHOUT FINGER SPRING

3. POSITIONS

04: 4 POSITIONS

4. INSULATOR MATERIAL

- [J]** **[G]** A: PBT+30%GF
- F: NYLON9T

5. INSULATOR COLOR

K: BLACK

6. CONTACT PLATING

- 1: GOLD 1u"
- [I]** 3: GOLD 5u"
- 5: GOLD 15u"
- 6: GOLD 30u"

7. SHIELD PLATING

3: NICKEL PLATED

|          |                   |        |          |
|----------|-------------------|--------|----------|
| PART NO. | USAR-2X04-XKX3T01 | SHEET  | REVISION |
| DWG NO.  | GTI09-30018       | 2 OF 2 | K        |