

**Ordering Information:**

USB-B R103-X X XX

Plating: (Selective plating for stamping contacts)

S1 = Gold Flash

S2 = 5u"

S3 = 10u"

S4 = 15u"

S5 = 30u"

S6 = 50u"

S7 = Special Plating Request by Customer

Shell Plating:

0 = Nickel Plated

Color & Material:

2 = Black & PBT

3 = White & PBT

Tooling Family

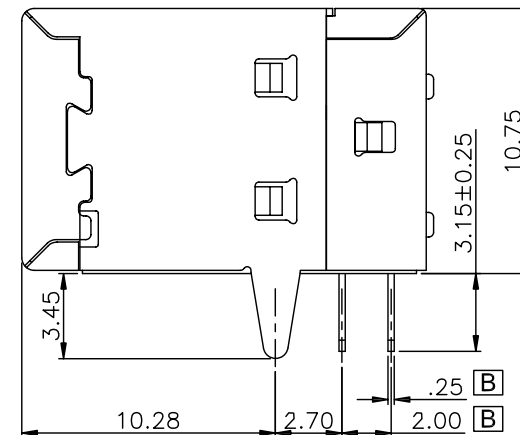
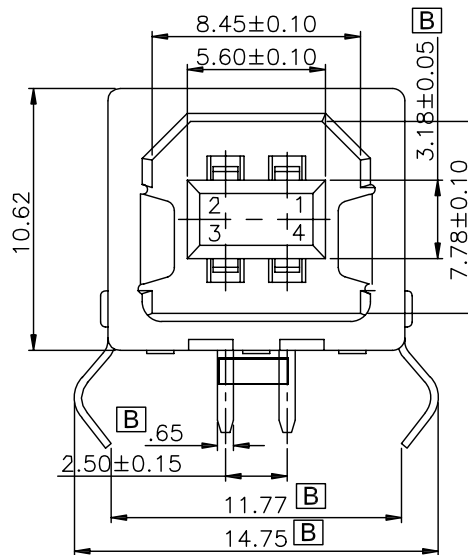
Type:

R = Receptacle

P = Plugs

USB-B Series

For Multiple Ports with Multiple Series Please Contact Manufacture for More Information



**Specification:**

**\*Electrical Characteristics.**

Voltage Rating: 30 V rms maximum.

Contact Current Rating:1.5 Amperes.

Dielectric Withstanding Voltage:AC 500V R.M.S.

Insulation Resistance:1000MΩ Min.

Contact Resistance:30mΩ Max.

**\*Environmental:**

Operating Temperature:-30° ~+50° .

**\*Mechanical Characteristics**

Contact Insertion Force:35N Maximum.

Contact Separation Force:10N Minimum.

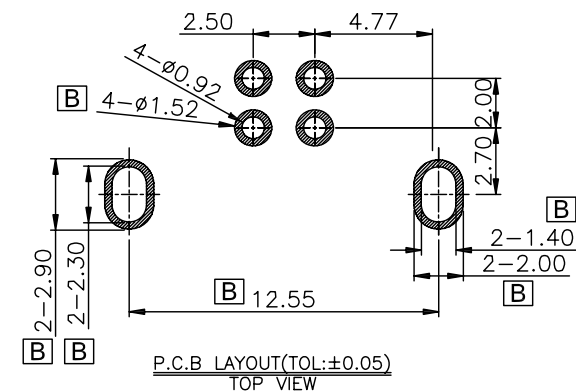
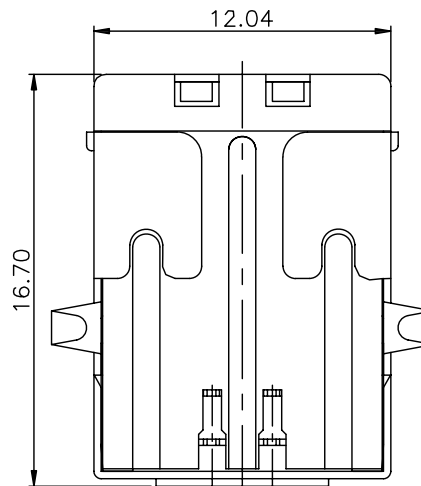
**\*Material:**

Housing:Thermoplastic UL 94V-0 Rated.

Contact:Copper Alloy(t=0.25mm).

Shell:K5(t=0.30mm).

Can accord with management standards for "environment-related substances to be controlled"



TOLERANCE	
LINEAR	ANGLES
X. ±	X° ± 3°

**GENESIS**  
TECHNOLOGY, INC  
1015 GRANT STREET S.E.  
ATLANTA, GA 30315  
a Genesis Electro-Mechanical Company

TITLE: USB B Female R/A DIP Type

PART NO. USB-BR103-XXXX

DWG NO. GTI08-30170

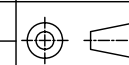
RoHS Compliant

REV	ECN NO.	NAME	DATE
[B]	REVISE DIM. AND PCB LAYOUT	VEGAS	02/01/10
[A]	ISSUED	SWL	04/29/08

.X ± 0.38	.X° ±
.XX ± 0.25	.XX° ±
.XXX ± 0.10	.XXX° ±

APPD:	MAT'L:
CHKD:	FINISH:
DRWN:	Q'TY:

UNITS	SCALE	SHEET	REV
MM	NONE	1 OF 1	B



UNITS	SCALE	SHEET	REV
MM	NONE	1 OF 1	B